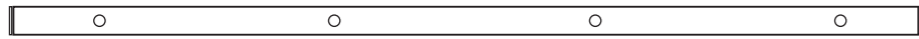
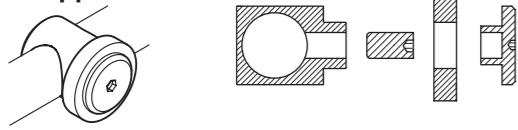


**1** Set sliding door fittings Antra I

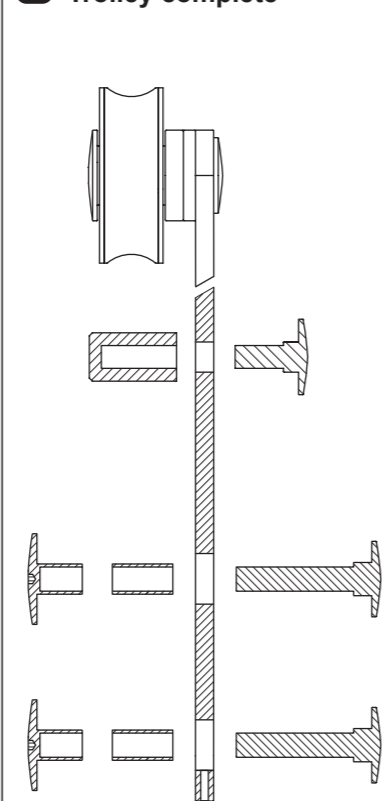
**2** Guide rail



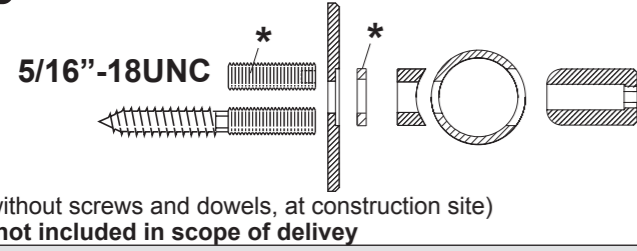
**3** Door stoppers



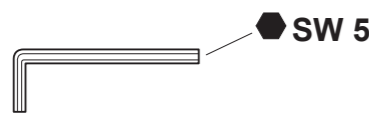
**4** Trolley complete



**5** Wall fixtures



**6** Special tool



**7** Bottom guide



(without screws and dowels, at construction site)

Set Antra I Art.-No.	Set / Each						
	1	2	3	4	5	6	7
USU47-1800DB	1	2	2	4	1	1	
USU47-2100DB	1	2	2	4	1	1	
USU47-2300DB	1	2	2	5	1	1	
USU47-2540DB	1	2	2	5	1	1	



Comply with all general safety regulations when installing the sliding door fittings!

Installation to be completed by qualified licensed contractor.

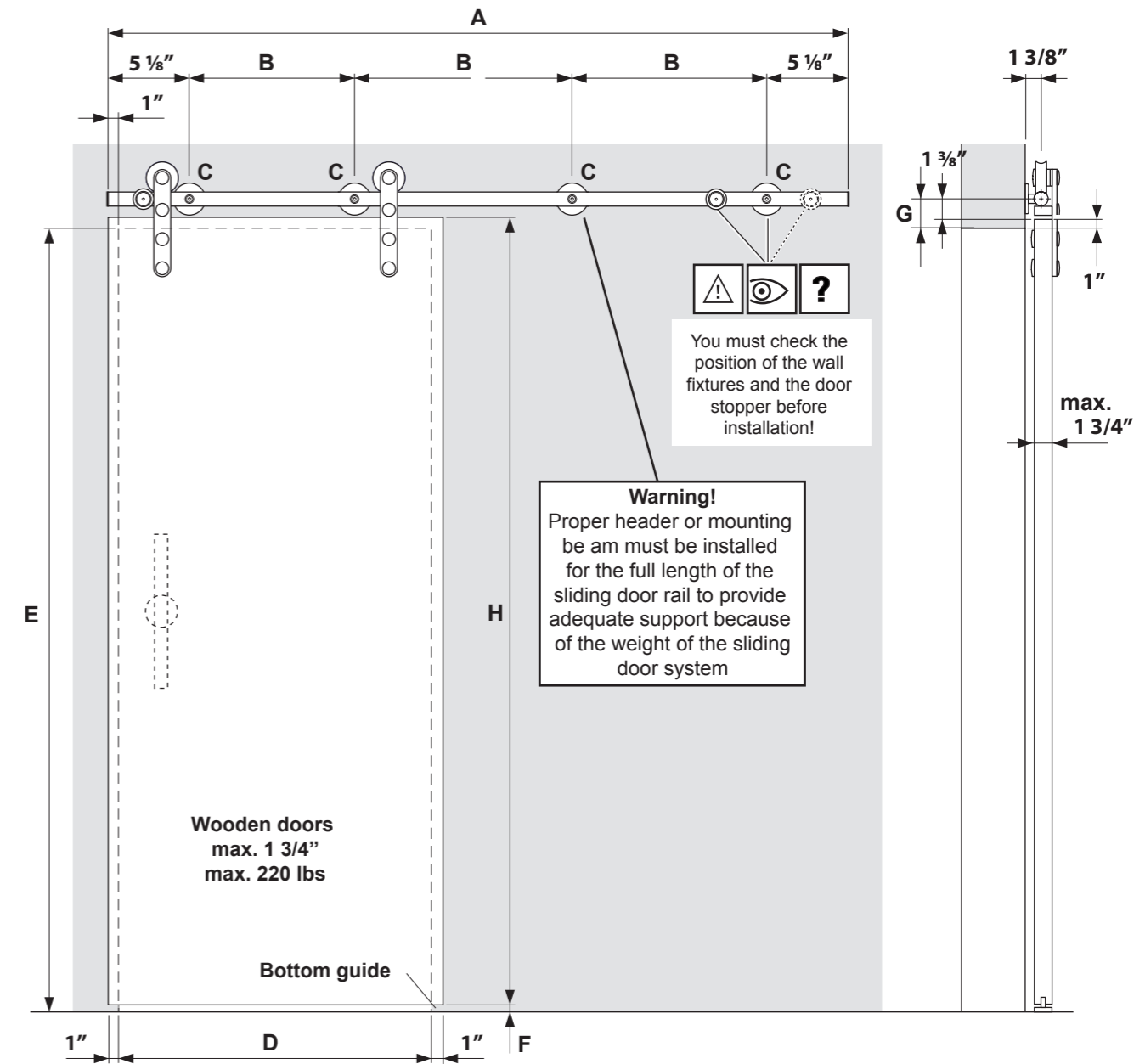
Be sure to tighten all screw connections one week after starting to use the sliding door fittings!

Never use scouring agents to clean the sliding door fittings; rather use commercially available stainless-steel cleaners!

- Attention
- Screw on
- Screw on
- Loosen/Tighten
- Install
- At right angle
- Drill
- Dowels
- Adjust Set
- Level
- Perpendicular
- Measure Mark
- Visual inspection
- Special-tool
- 2 people required
- Measure
- Clarify questions
- See Instructions
- Secure

# Installation instructions

## Sliding door fittings Antra I for wooden doors ( max. 1 3/4" thickness )



**Complete-set's**

Set Antra I Art.-No.	A Inch	B Inch	C Each	D Inch	E max. Inch	F Inch	G Inch	H max. Inch (H=E - F + 1")
USU47-1800DB	70 7/8"	20 1/4"	4	29 1/2" - 35 7/16"	98 7/16"	1/4" - 3/8"	2 3/8"	99 1/8"
USU47-2100DB	82 11/16"	24 1/8"	4	35 13/16" - 39 3/8"	98 7/16"	1/4" - 3/8"	2 3/8"	99 1/8"
USU47-2300DB	90 9/16"	20 1/16"	5	39 3/4" - 44 1/16"	98 7/16"	1/4" - 3/8"	2 3/8"	99 1/8"
USU47-2540DB	100"	22 7/16"	5	44 1/2" - 49 3/16"	98 7/16"	1/4" - 3/8"	2 3/8"	99 1/8"

Right to make technical changes reserved - Dimensions in inch - Version 04.2016  
© by ABP-Beyerle GmbH



Beyerle US L.L.C.

5126 South Royal Atlanta Drive, Tucker, GA 30084, USA

Phone (770) 349 - 6324, Fax (770) 934 - 3384, mail: info@beyerle-us.com, www.beyerle-us.com

65.30.00.0195\_Antra I\_wood\_US

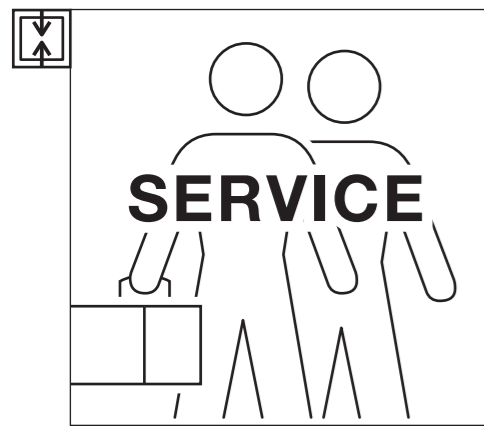


Abb. 1

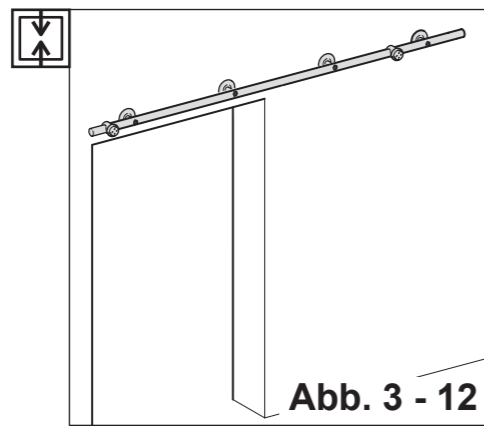


Abb. 2

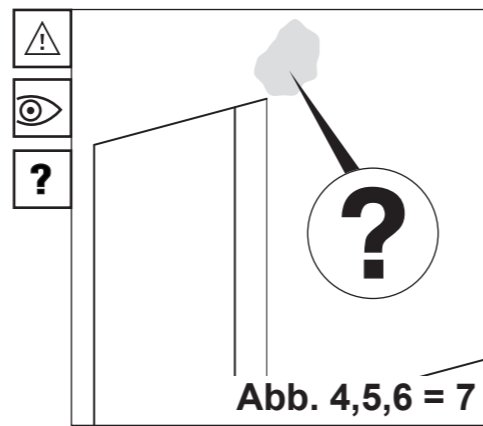


Abb. 3

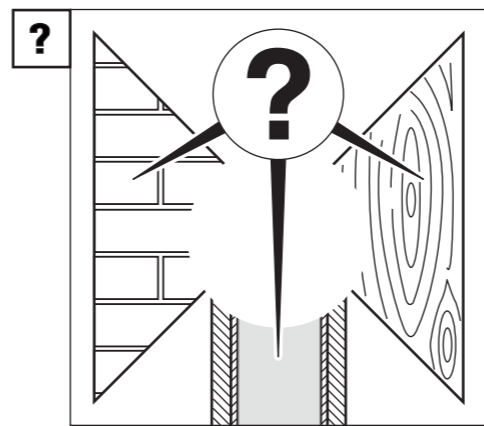


Abb. 4

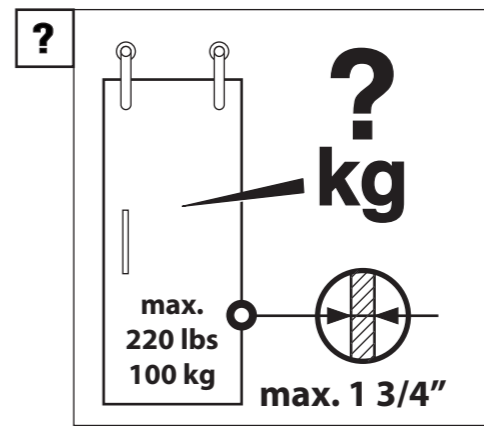


Abb. 5

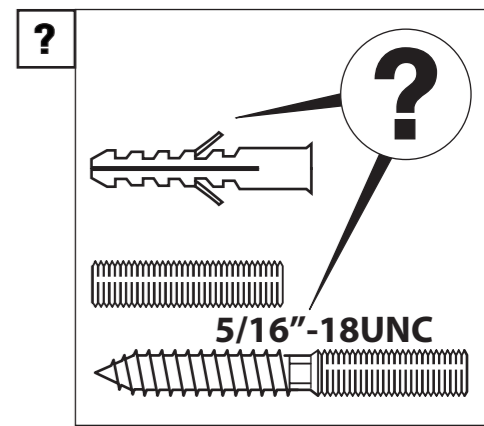


Abb. 6

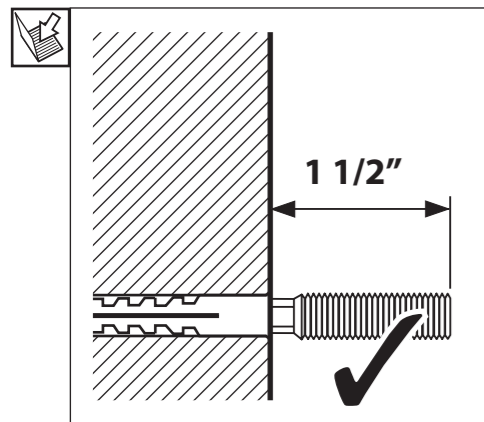


Abb. 7

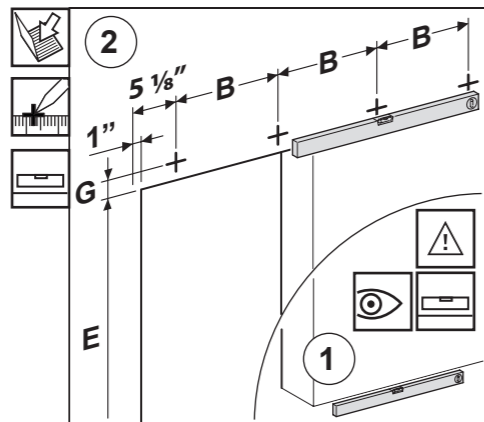


Abb. 8

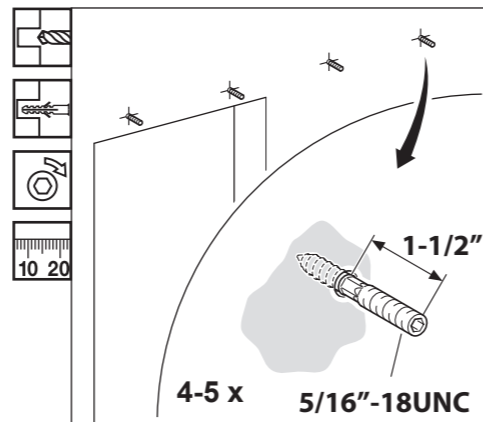


Abb. 9

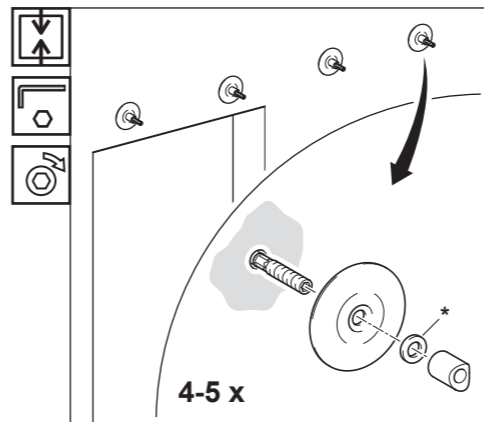


Abb. 10

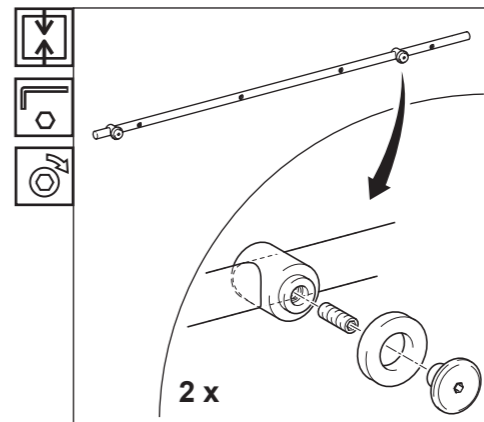


Abb. 11

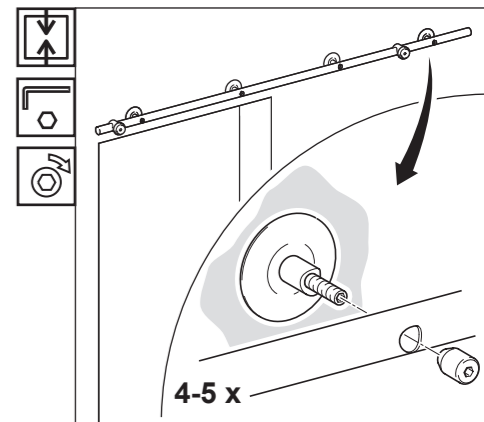


Abb. 12

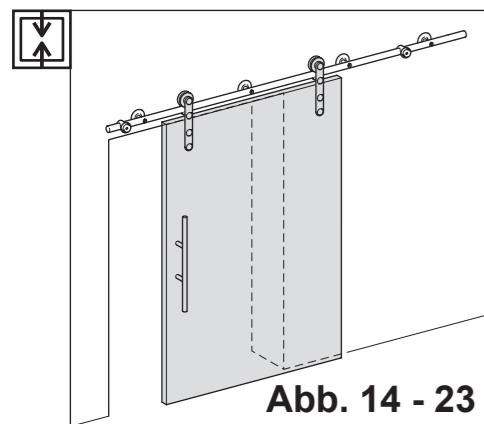


Abb. 13

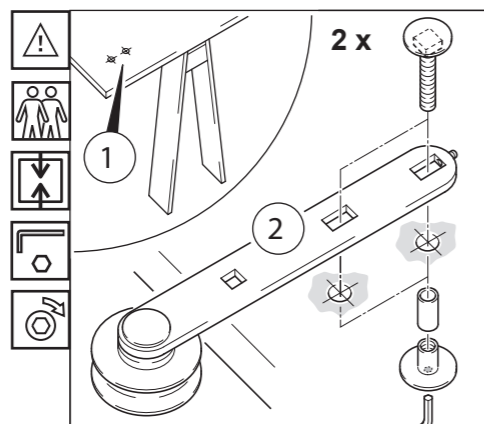


Abb. 14

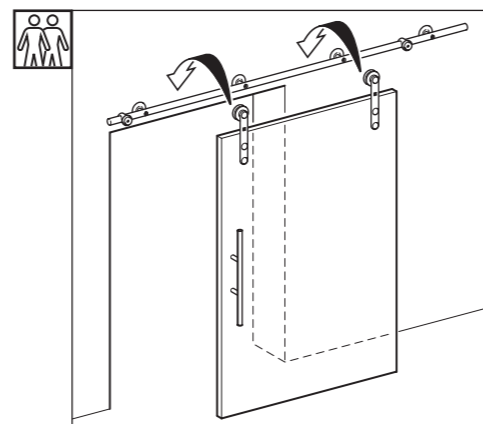


Abb. 15

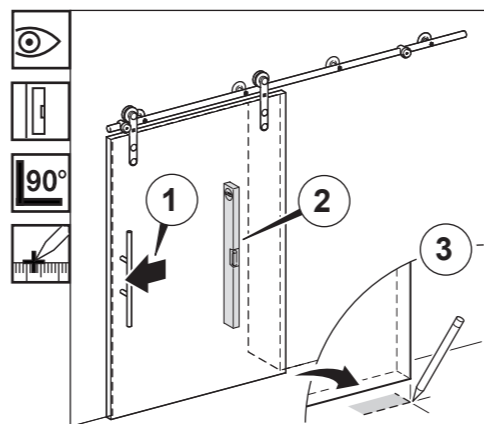


Abb. 16

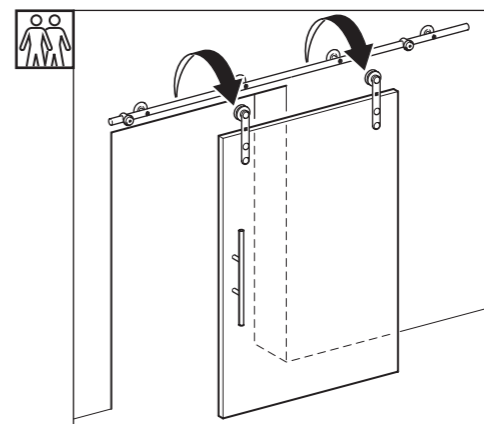


Abb. 17

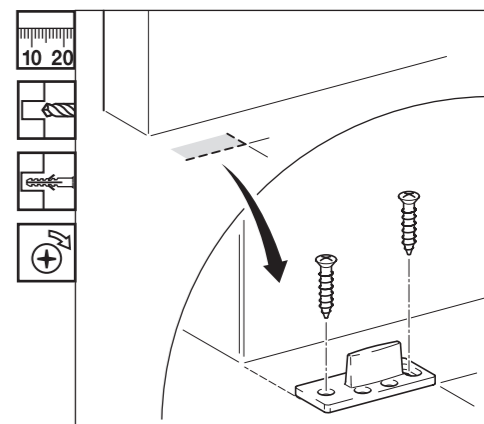


Abb. 18

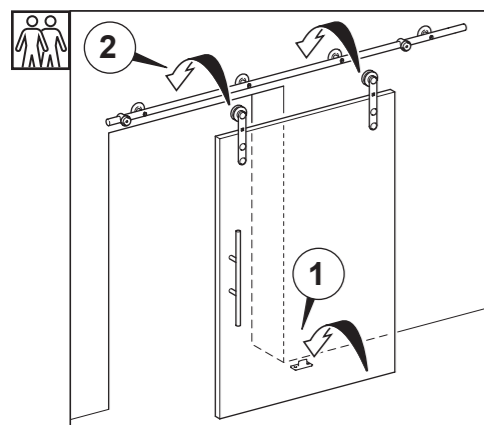


Abb. 19

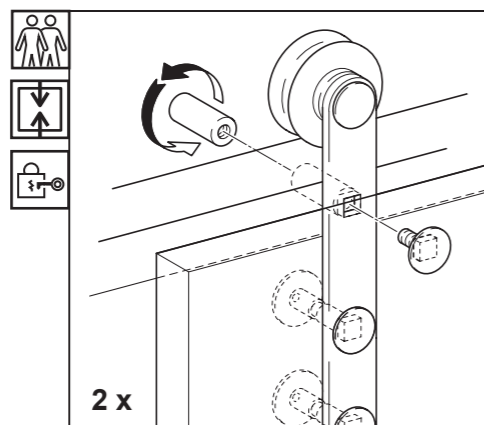


Abb. 20

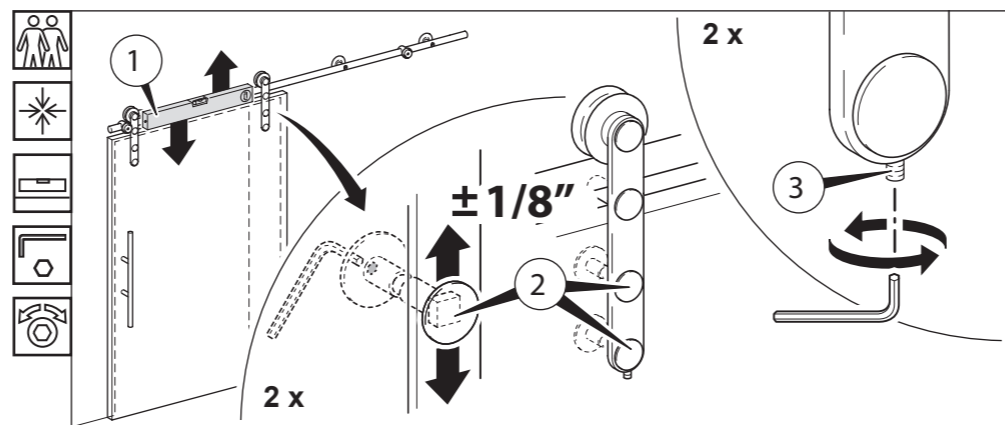


Abb. 21

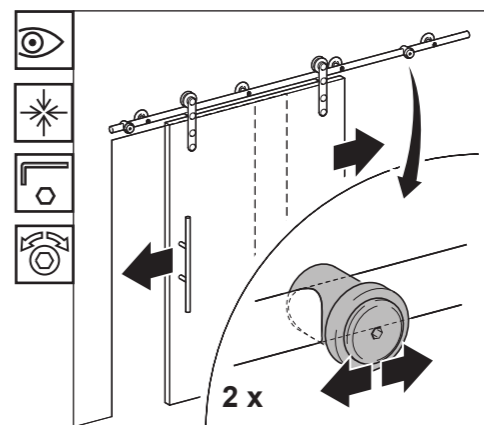


Abb. 22

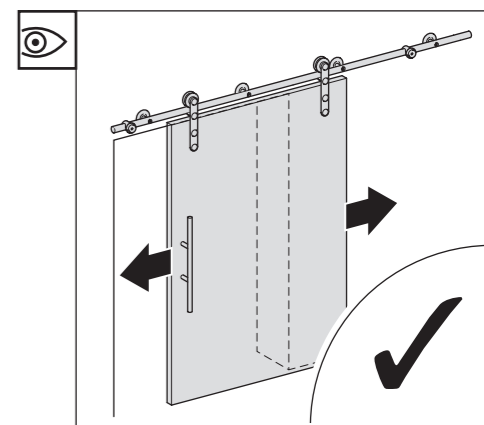


Abb. 23